



likemirror

LARGE SIZE
MIRROR

LIGHTWEIGHT
MIRROR



OPERA VICTOIRE
ARCHITECTES : TRIAS ET JACQUES VAN HAREN



LIGHTNESS SPACE CREATIVITY ATMOSPHERE

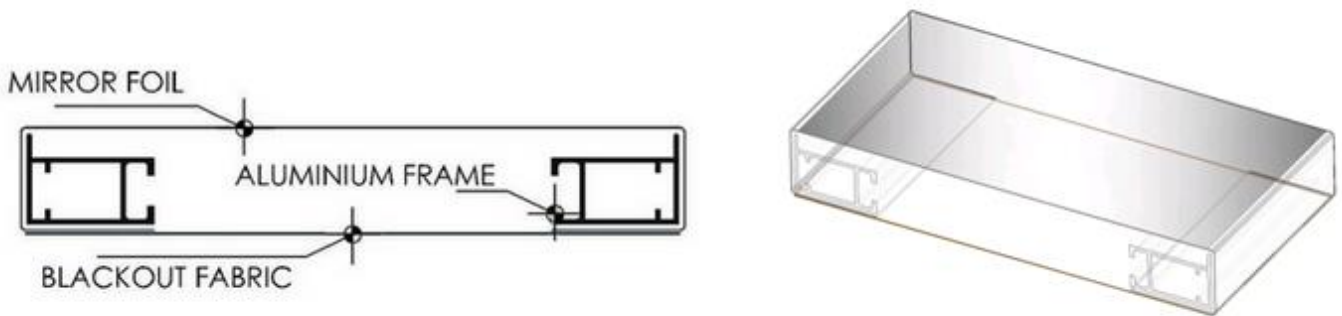
TECHNICAL DATASHEET



SUMMARY

I. Introduction	3
II. Technical Description	3
III. Glass mirror or Like Mirror® ?	4
IV. Sizes and integrations	5
V. Summary table	5
VI. Aluminum frame	6
VII. Packaging and manufacturing time	6
VIII. Accessories	7
IX. Installation, cleaning and repair	9

I. Introduction



LIKE MIRROR® is a range of lightweight, large size and glassless mirror panels.

These panels are made of a polymer foil in tension on an aluminum frame under patent N°FR 2814758.

Our mirror panels have a remarkable optical quality.

II. Technical Description

Mirror panels are made of a polyester mirror foil in tension on an aluminum frame. These panels are Like Mirror® Brand. Position and shapes according to architect's drawings.

Characteristics :

- Color : According to architect's choice (refer Like Mirror® color chart)
- Tensile strength at break > 16 daN/mm² (ASTM D882)
- Optical density : 2.2 +/- 0.2 (tobias densitometer)
- Optical reflection : 95%

Mirror panels must be stored 10 months maximum in standard conditions (20°C, 40% humidity). Mirror panels are very sensitive to scratches. During construction, panels must be handled and stored with extreme care. Mirror panels should be installed completely at the end of the project (after painting work).

Cleaning and maintenance will be done according to Like Mirror® instructions.



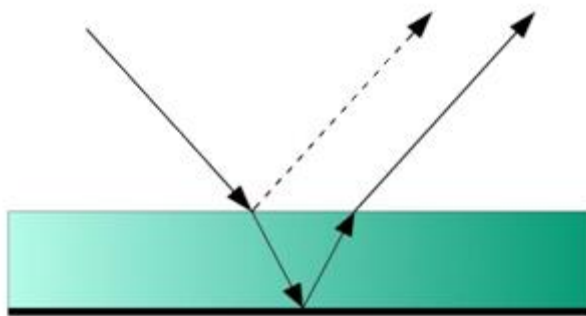
likemirror

III. Glass mirror or Like Mirror® ?

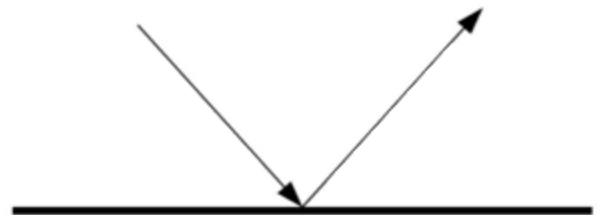
Like Mirror® has a very thin mirror foil which reflects 95% of the image.

A non optical mirror has a glass layer (from 3 to 20mm) protecting the thin metallised reflecting coat. This glass layer disturbs the reflected image in 3 different ways :

- 1/ The reflected image has the color of the glass (green or blue generally)
- 2/ The reflected image is modified because of the refraction phenomenon.
- 3/ The upper face of the glass layer creates a partial reflected image.



glass mirror



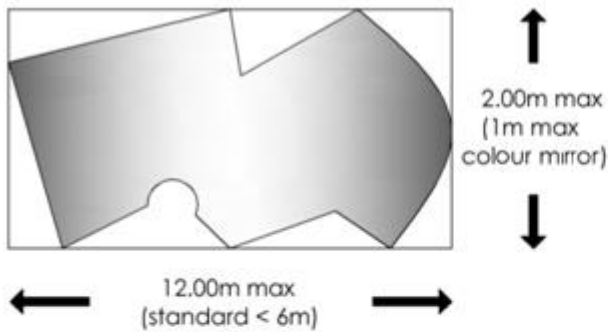
Like Mirror

	mirror Like Mirror®	Standard Glass Mirror (non optical)
Weight	From 1,85kg/m ² to 2,65kg/m ²	From 7,5 to 50kg/m ²
Maximum Dimensions	2.80 x 12.00m	2.00 x 4.00m
Reflection	Remarkable	Good
Fragility, Danger	Unbreakable, harmless (can be cut or torn)	Breakable and dangerous if non tempered glass
Sensitivity to scratches	Yes	Yes



likemirror

IV. Sizes and integrations




Any 2D shapes can be made on demand.

Spotlight can be integrated.

Bespoke openings are made on request.

	Øint x Øext x width
	50x70x10mm
	100x120x10mm
	150x170x10mm
	200x220x10mm

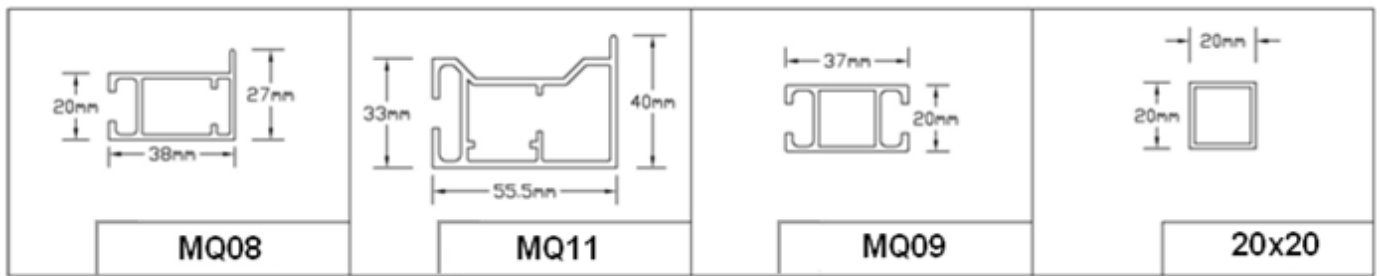
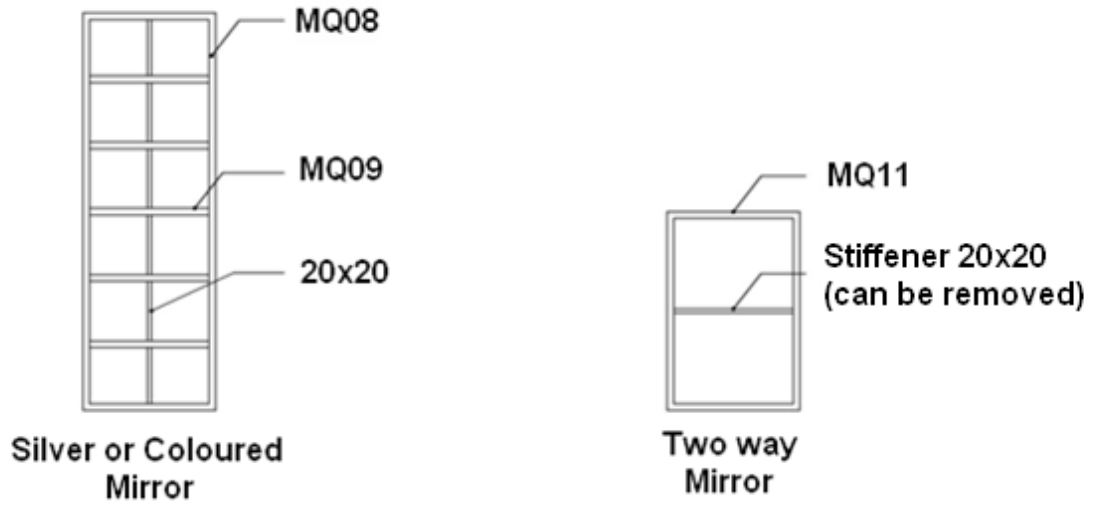
	L x L x width
	50x50x10mm
	100x100x10mm
	150x150x10mm
	200x200x10mm

V. Summary table

	Silver Mirror	Colored Mirror	Two Way Mirror
Minimum Dimensions	55cm x 55cm*	55cm x 55cm*	55cm x 55cm*
Maximum Width	2.80 m	1.00 m**	2.80 m
Maximum Length	12.00 m (6m standard)	12.00 m (6m standard)	3.00 m (without stiffener)
Thickness	27 mm	27 mm	40 mm
Weight	1,85kg/m ²	1,85kg/m ²	2,65 kg/m ²
Fire rating	B-S1,D0	B-S1,D0	-
Calorific Value	6,01MJ/m ²	6,01MJ/m ²	6,01MJ/m ²
Acoustic Coefficient α_w	0,5***	0,5***	0,5***

* Can be reduced on demand
 ** Larger width on demand for some colors
 *** If acoustic option is chosen

VI. Aluminum frame



VII. Packaging and manufacturing time

Manufacturing time is 3 weeks after order.

3 packaging options are available:



1/ Basic :
Polyane + foam corners



2/ Wood and cardboard

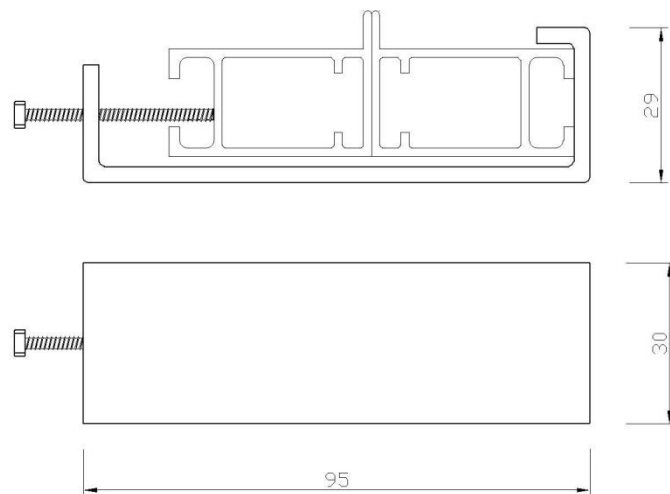
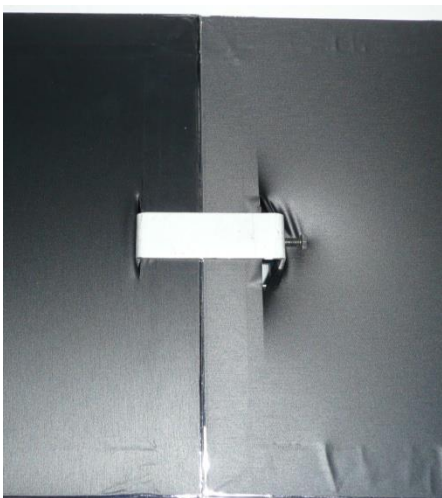
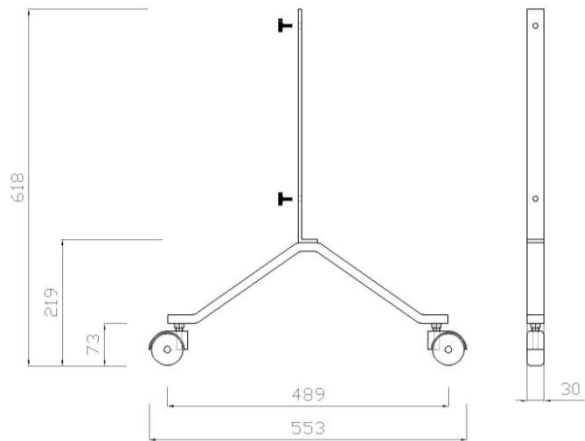
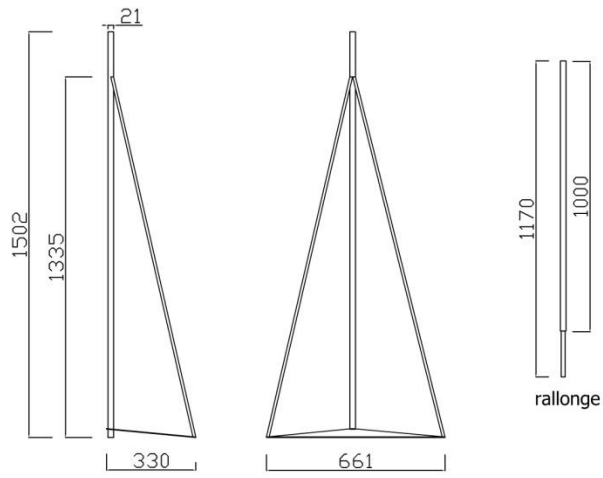


3/ Bespoke crate



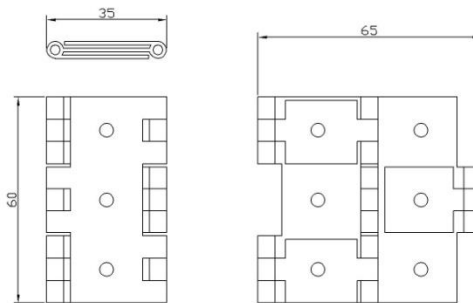
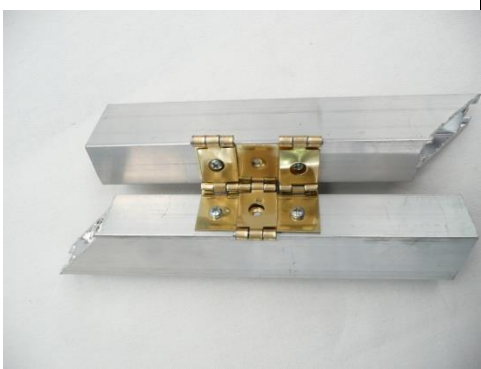
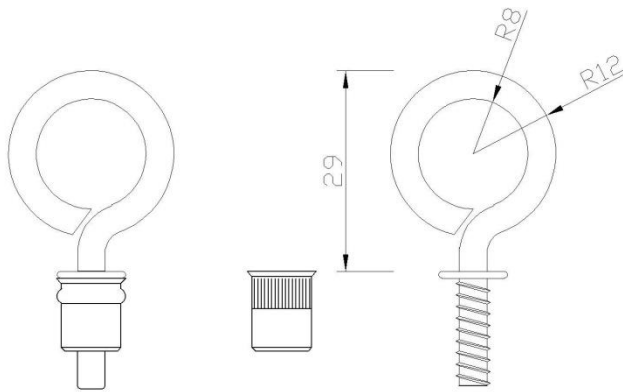
likemirror

VIII. Accessories





likemirror





likemirror

IX. Installation, cleaning and repair

INSTALLATION

During installation, mirror panels must be handled with gloves and microfiber cloth supplied.

ALWAYS CLEAN GREASE AND FINGERPRINTS AS QUICK AS POSSIBLE.

CLEANING

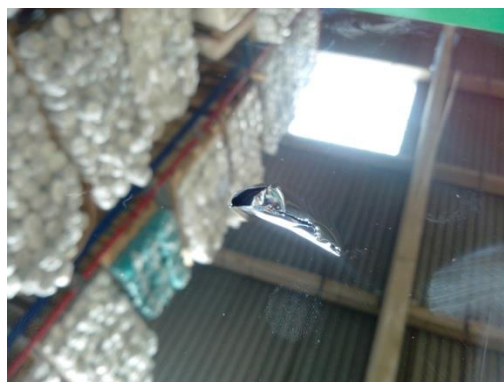
Mirror panels are clean when delivered and do not need any extra cleaning. For removing fingerprints, clean only with microfiber cloth adding few drops of water if needed. **DO NOT USE PAPER TOWELS OR TISSUES, WHICH ARE ABRASIVE.**

REPAIR

An impact on the foil can be fixed by simply heating the foil (no more than 170°C).



If the mirror foil is cut or torn, the only possible of repair is a mirror patch or mirror film replacement at Like Mirror factory.





For any further information, please contact us :

LIKE MIRROR® – Office

163 Quai du Dr. Dervaux

92 600 Asnières sur Seine

Tel : 01 88 32 99 52

Fax : 01 88 32 52 35

LIKE MIRROR® – Production

84, rue du Faubourg de Neaufles

27140 Gisors

www.likemirror.com